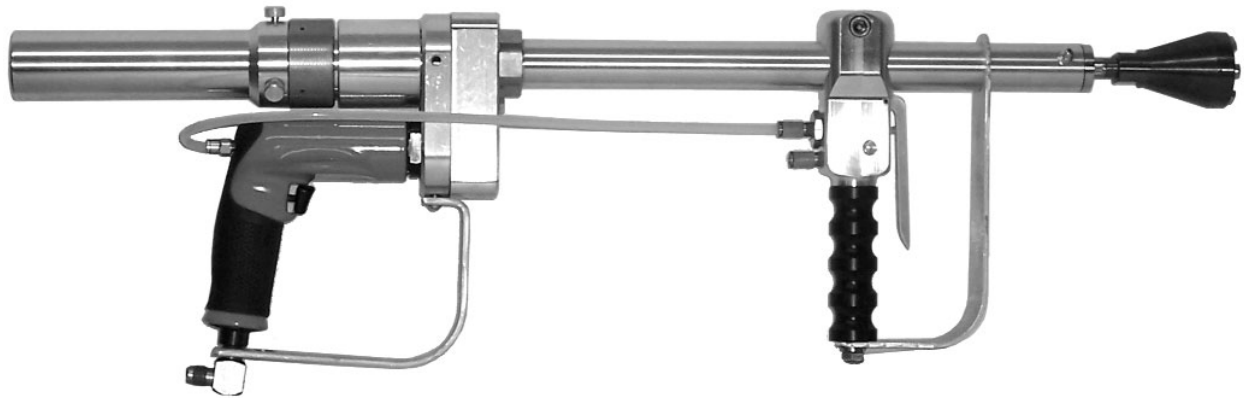




45-8450

**6010-1-AJT, 6010-2-AJT \***  
**.9 HP Non-Reversible Drill**

*\* This Parts Manual is designed for the Drill Motor only.*



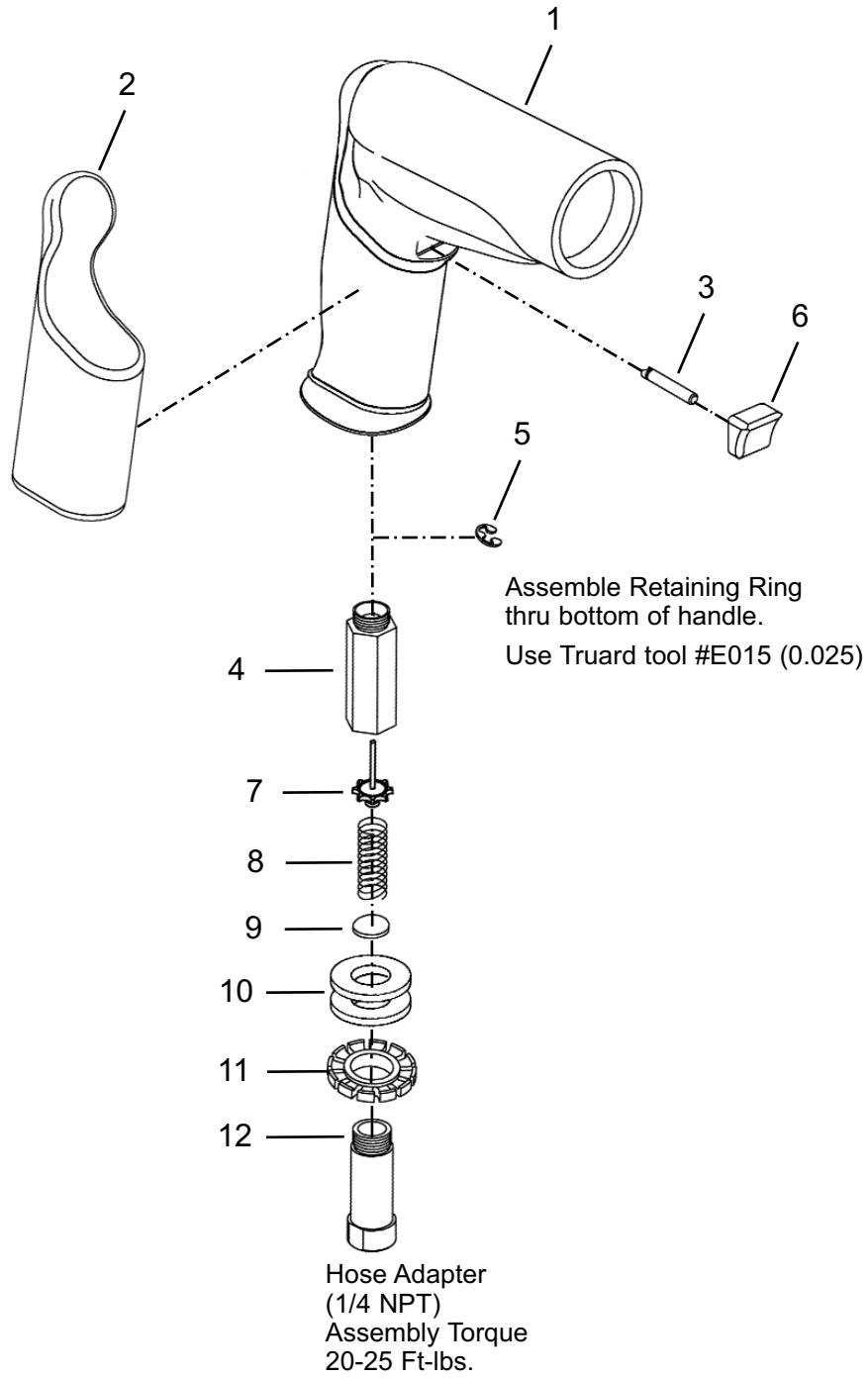
Model Number	HP	Free Speed	Weight		Length		Air Inlet
			lbs.	kg	in.	mm	Size
6010-1-AJT	.9	3200	2.4	1.08	7.2	183	1/4"
6010-2-AJT	.9	4800	2.4	1.08	7.2	183	1/4"

**All Jetting Technologies**  
 2740 Martin Downs Boulevard, #318  
 Palm City, Florida 34990

# All Jetting Technologies

## Handle Assembly

“A”



# All Jetting Technologies

## Handle Assembly

PL31-AJT

September 17, 2007

### Illustration, Abbildung, Illustration, Ilustración, Illustrazione "A"

Ref.	Number	#	●	Kits	EN	DE	FR	ES	IT
					Description	Benennung	Designation	Description	Description
1	543795	1			PG Handle	Toter Griff	Poignée morte	El Asidero muerto	Il Manico morto
2	543794	1			Sleeve	Griffhülse	Manchon de poignée	Manguito de la manija	Rivestimento impugnatura
3	1110077	1			Push Rod	Stange	Tige	Varilla	Asta
4	1110052	1			Valve Housing	Gehäuse	Corps	Caja	Corpo
5	1012024	1	●	K1	Retaining Ring	Sicherungsring	Anneau de fixation	Anillo de retención	Anello di fissaggio
6	1110038	1			Trigger	Drücker	Déclencheur	Gatillo	Grilletto
7	01-2518	1	●	K1	Tip Valve	Kippventil	Soupape d'extrémité	Válvula de extremo	Valvola di punta
8	1110079	1	●	K1	Spring	Druckfeder	Ressort	Resorte	Molla
9	1006577	1	●	K1	Screen	Bildschirm	Ecran	Criba	Schermo
10	1110134	2	●	K1	Muffler	Schalldämpfer	Silencieux	Silenciador	Silenziatore
11	1110892	1			Muffler Diffuser	Schalldämpferdiffuser	Diffuseur de silencieux	Difusor del silenciador	Silenziatore di scarico
12	1110053	1			Hose Adapter	Schlauchadapter	Adaptateur de tuyau	Adaptador de manguera	Adattatore per tubo
<b>Repair Kits:</b>									
K1	04-0219	1			Tune-Up Kit	Satz	Ensemble	Juego	Corredo

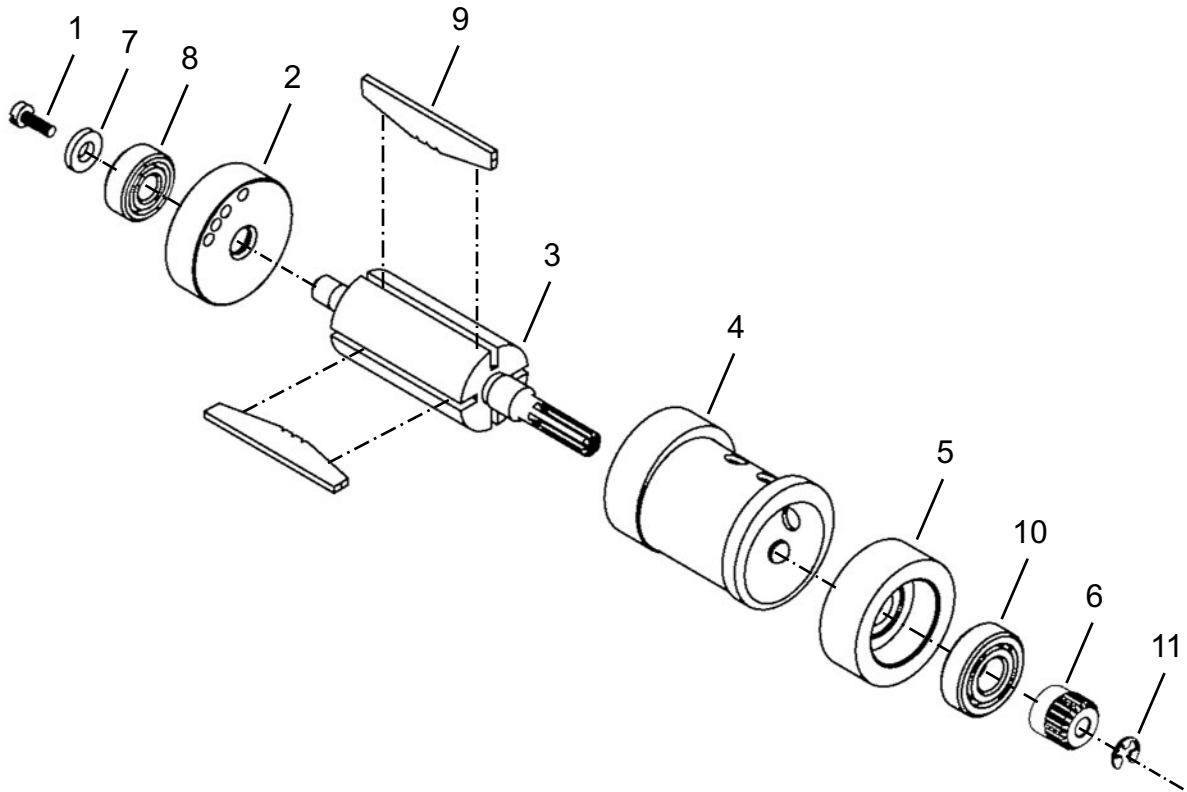
(#) Quantity / Stückzahl / Quantité / Cantidad / Quantità

● Recommended Spare Parts / Kennzeichnet empfohlenes / Identifica un particolare di ricambio raccomandato / Designa el repuesto recomendado / Indique la pièce de rechange conseillée

# All Jetting Technologies

## Motor Assembly

**“B”**



### Illustration, Abbildung, Illustration, Ilustración, Illustrazione "B"

Ref.	Number	#	●	Ref.	EN	DE	FR	ES	IT
					Description	Benennung	Designation	Description	Description
1	1011750	1	●		Screw	Schraube	Vis	Tornillo	Vite
2	1110068	1			Rear Plate	Hintere Platte	Plaque arrière	Placa posterior	Piattello posteriore
3	Table "B"	1			Rotor	Rotor	Rotor	El rotor	Il rotore
4	1019667	1			Cylinder	Zylinder	Cylindre	Cilindro	Cilindro
5	1008260	1			Front Plate	Vorderplatte	Plaque de devanture	Placa frontal	Piattello anteriore
6	Table "B"	1			Detachable Pinion	Pinion	Pignon	Piñón	Il pignone
7	1012518	1	●	K1	Washer	Scheibe	Rondelle	Arandela	Rondella
8	1010183	1	●	K1	Ball Bearing	Kugellager	Roulement à billes	Cojinete de bolas	Cuscinetto a sfera
9	1019882	4	●	K1, K2	Rotor Blade	Rotorblatt	Palette	Alabe del rotor	Paletta del rotore
10	1010770	1	●	K1	Ball Bearing	Kugellager	Roulement à billes	Cojinete de bolas	Cuscinetto a sfera
11	1007548	1	●	K1	Retaining Ring	Sicherungsring	Anneau de fixation	Anillo de retención	Anello di fissaggio
<b>Repair Kits:</b>									
K1	04-0219	1			Tune-Up Kit	Satz	Ensemble	Juego	Corredo
K2	1025484	1			Rotor Blade Kit (100pcs)	Satz	Ensemble	Juego	Corredo

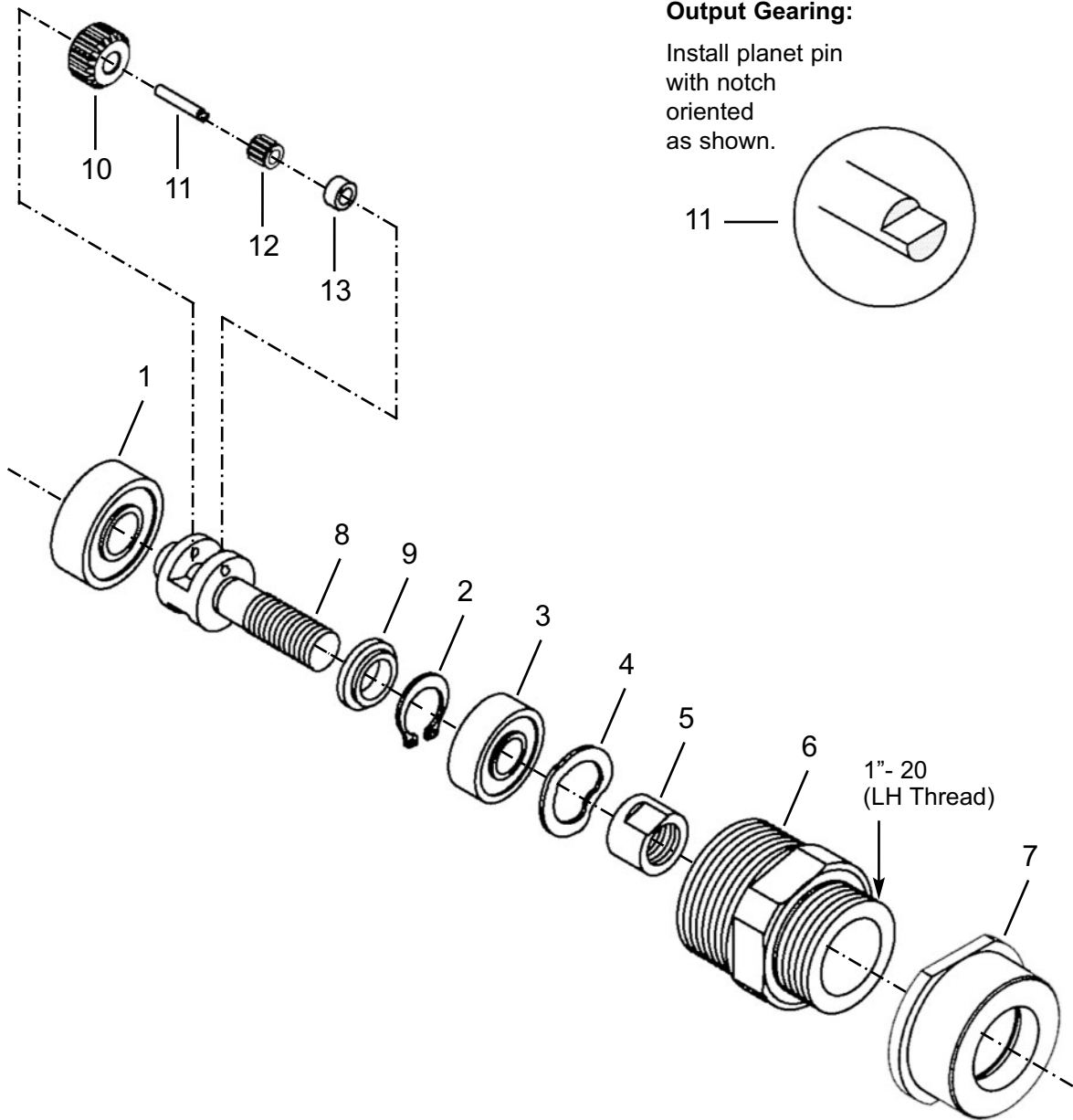
(#) Quantity / Stückzahl / Quantité / Cantidad / Quantità

● Recommended Spare Parts / Kennzeichnet empfohlenes / Identifica un particolare di ricambio raccomandato / Designa el repuesto recomendado / Indique la pièce de rechange conseillée

### Table, Tabelle, Tableau, Tabla, Tabella "B"

Description	Index #	Rotor Part Number	Index #	Detachable Pinion Part Number
6010-1-AJT	3	1017156	---	---
6010-2-AJT	3	1017218	6	1021745

**“C”**



4,800 RPM / min<sup>-1</sup>  
3,200 RPM / min<sup>-1</sup>

# All Jetting Technologies

## Gearing Assembly

**PL31-AJT**  
September 17, 2007

### Illustration, Abbildung, Illustration, Ilustración, Illustrazione "C"

Ref.	Number	#	● Kits	EN	DE	FR	ES	IT
				Description	Benennung	Designation	Description	Description
1	1008262	1		Ball Bearing	Kugellager	Roulement à billes	Cojinete de bolas	Cuscinetto a sfera
2	1007964	1		Retaining Ring	Sicherungsring	Anneau de fixation	Anillo de retención	Anello di fissaggio
3	506	1		Ball Bearing	Kugellager	Roulement à billes	Cojinete de bolas	Cuscinetto a sfera
4	1110127	1		Wave Washer	Wellenförmige unterlegscheibe	Rondelle en onde	Arandela ondulada	Rondella ondulata
5	1110185	1		Spindle Nut	Mutter	Ecrou	Tuerca	Dado
6	Table "C"	1		Gear Housing	Getriebegehäuse	Boîte de changement de vitesse	Alojamiento del engranaje	Scatola ingranaggi
7	01-2715	1		Adapter	Zwischenstück	Adaptateur	Adaptador	Adattatore
8	Table "C"	1		Planet Cage	Planetenradträger	Porte-satellites	Portaengranajes	Corpo planetario
9	Table "C"	1		Planet Cage Washer	Unterlegscheibe für den Planetenradträger	Rondelle de porte-satellites	Arandela de portador planetario	Rondella gabbia ingranaggio satellite
10	Table "C"	2		Planet Gear	Planetengetriebe	Pignon satellite	Piñon satélite	Ingranaggio satellite
11	1004983	2		Planet Pin	Planetenradzapfen	Goujon à satellite	Pasador de piñon satélite	Spina planetario
12	7610	2		Needle bearing	Nadellager	Roulement à aiguilles	Cojinete de agujas	Cuscinetto a rulli
13	1110066	4		Washer	Scheibe	Rondelle	Arandela	Rondella

(#) Quantity / Stückzahl / Quantité / Cantidad / Quantità

● Recommended Spare Parts / Kennzeichnet empfohlenes / Identifica un particolare di ricambio raccomandato / Designa el repuesto recomendado / Indique la pièce de rechange conseillée

### Table, Tabelle, Tableau, Tabla, Tabella "C"

Index #	Model	6010-2-AJT	6010-1-AJT
	RPM	4,800	3,200
	Speed Code		
	Description	2	1
--	Gear Assembly	---	110042
6	Gear Housing (# of Teeth)	01-2720 (48T)	01-2716 (49T)
8	Planet Cage	01-2717	1110044
9	Planet Cage Washer (Diameter)	1110069 (0.743")	1110070 (0.677")
10	Planer Gear	1008250	1008252

(T) Teeth / Zähne / Dents / Dientes / Dente



**All Jetting Technologies**  
2740 Martin Downs Boulevard #318  
Palm City, Florida 34990  
USA  
Phone: 772-286-1218